



Monolite 70S

- Very energy efficient industrial LED light (144 lm/W)
- Robust housing and connections
- Great thermal management
- Energy class: A++

Product benefits

- Very efficiency 144 lm/W and low power consumption 64W.
- High lumen output 8010 lm with wide light angle 118°.
- Simple installing, robust housing and connections
- Great thermal management with optimized aluminium heat sink.
- Developed and made in Europe with 3 year warranty.

Technical data

Electrical data

Input voltage:	AC 230V /50Hz
Power consumption:	64W
Efficiency:	90%
PFC:	>90
Life span:	>50,000
Light control:	optional*

Optical technical data

LED QTY:	288
Luminous flux (4000K,85°C):	8010 lm
Colour temperature:	4000K,5000K
CRI:	>80
Luminous efficacy:	144 lm/W
Light angle:	118°

Mechanical data

Operating temperature:	-25°C ~ +40°C
Dimensions:	600 × 75 × 130 mm
Recessed opening:	/
Weight:	4 kg

Colour and materials

Colour:	silver
Material:	plastic, aluminium

Certificates & standards

IP protection:	IP 65
Energy class:	A++

*Every custom change of product affects the price of product.

Ordering information

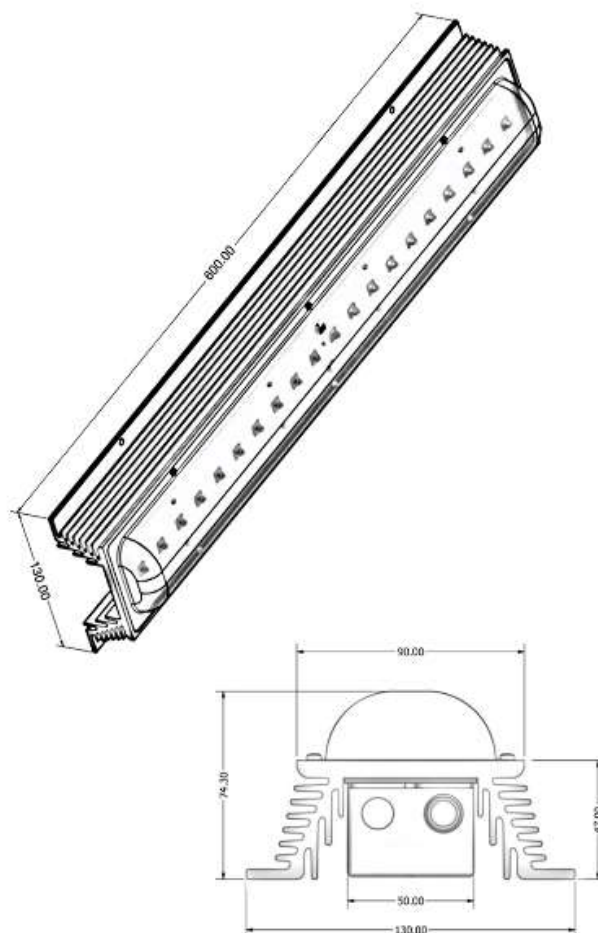
Code	Description
FL.39100220000	LED MONOLITE70S TRANSPARENT 4000K
FL.39100230000	LED MONOLITE70S TRANSPARENT 5000K
FL.39110220000	LED MONOLITE70S SATIN 4000K
FL.39110230000	LED MONOLITE70S SATIN 5000K

Manufacturer reserves all rights to make changes in materials and components used its products. All data are subject to change without prior notification.



Additional product data

Dimensional drawing



Light distribution

