



# Monolite 50S

- Very energy efficient industrial LED light (147 lm/W)
- Robust housing and connections
- Great thermal management
- Energy class: A++

## Product benefits

- Very efficiency 147 lm/W and low power consumption 53W.
- High lumen output 6839 lm with wide light angle 118°.
- Simple installing, robust housing and connections
- Great thermal management with optimized aluminium heat sink.
- Developed and made in Europe with 3 year warranty.

## Technical data

### Electrical data

Input voltage:	AC 230V /50Hz
Power consumption:	53W
Efficiency:	90%
PFC:	>90
Life span:	>50.000
Light control:	optional*

### Optical technical data

LED QTY:	288
Luminous flux (4000K,85°C):	6839 lm
Colour temperature:	4000K,5000K
CRI:	>80
Luminous efficacy:	147 lm/W
Light angle:	118°

### Mechanical data

Operating temperature:	-25°C ~ +40°C
Dimensions:	600 × 75 x 130 mm
Recessed opening:	/
Weight:	4 kg

### Colour and materials

Colour:	silver
Material:	plastic, aluminium

### Certificates & standards

IP protection:	IP 65
Energy class:	A++

\*Every custom change of product affects the price of product.

## Ordering information

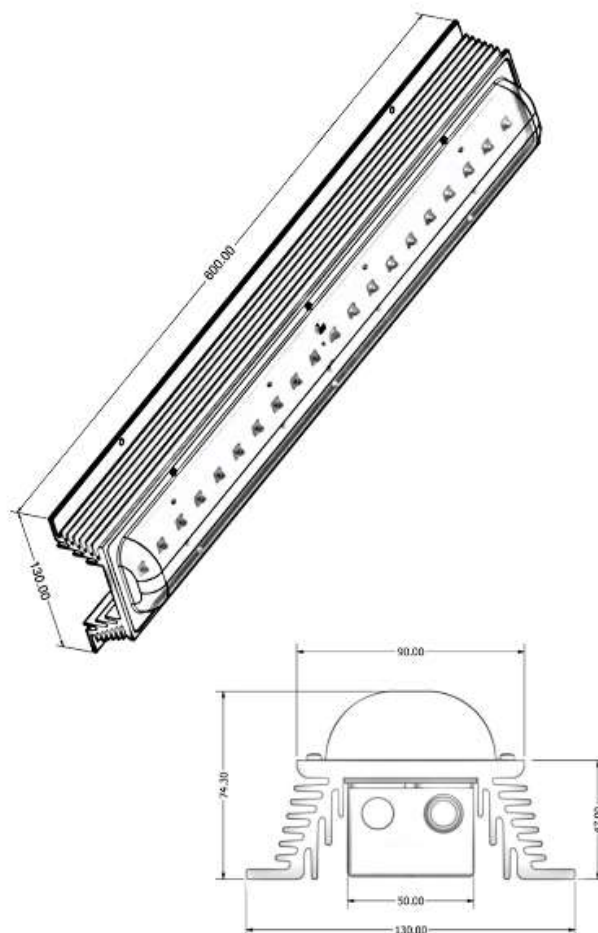
Code	Description
FL.38100220000	LED MONOLITE50S TRANSPARENT 4000K
FL.38100230000	LED MONOLITE50S TRANSPARENT 5000K
FL.38110220000	LED MONOLITE50S SATIN 4000K
FL.38110230000	LED MONOLITE50S SATIN 5000K

Manufacturer reserves all rights to make changes in materials and components used its products. All data are subject to change without prior notification.



## Additional product data

### Dimensional drawing



### Light distribution

