



Minilite 30S

- Very energy efficient industrial LED light (143 lm/W)
- Robust housing and connections
- Great thermal management
- Energy class: A++

Product benefits

- Very efficiency 143 lm/W and low power consumption 29W.
- High lumen output 3634 lm with wide light angle 118°.
- Simple installing, robust housing and connections
- Great thermal management with optimized aluminium heat sink.
- Developed and made in Europe with 3 year warranty.

Technical data

Electrical data

Input voltage:	AC 230V /50Hz
Power consumption:	29W
Efficiency:	89%
PFC:	>90
Life span:	>50.000
Light control:	optional*

Optical technical data

LED QTY:	144
Luminous flux (4000K,85°C):	3634 lm
Colour temperature:	4000K,5000K
CRI:	>80
Luminous efficacy:	143 lm/W
Light angle:	118°

Mechanical data

Operating temperature:	-25°C ~ +40°C
Dimensions:	300 x 75 x 130 mm
Recessed opening:	/
Weight:	2 kg

Colour and materials

Colour:	silver
Material:	plastic, aluminium

Certificates & standards

IP protection:	IP 65
Energy class:	A++

*Every custom change of product affects the price of product.

Ordering information

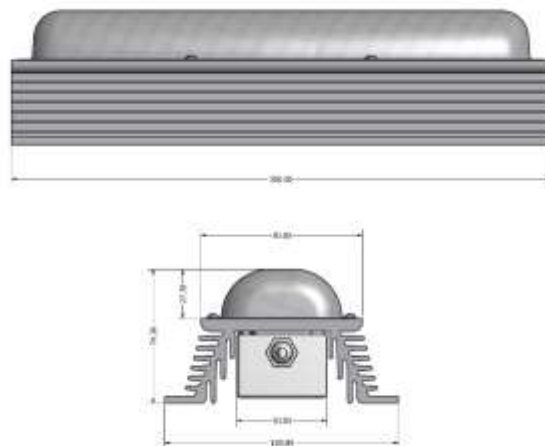
Code	Description
FL.37100220000	LED MINILITE30S TRANSPARENT 4000K
FL.37100230000	LED MINILITE30S TRANSPARENT 5000K
FL.37110220000	LED MINILITE30S SATIN 4000K
FL.37110230000	LED MINILITE30S SATIN 5000K

Manufacturer reserves all rights to make changes in materials and components used its products. All data are subject to change without prior notification.



Additional product data

Dimensional drawing



Light distribution

