

Technical Data Sheet

Anya 1



Technical Data Sheet

Anya 1



PRODUCT BENEFITS

- Unique design wall mounting lamp for elegant ambient lighting
- Housing made of wood - american walnut
- Option for direct or indirect lighting - depending on the installation
- Possible regulation with: DALI, ENOCEAN, 1-10V

TECHNICAL DATA

Electrical data

Input voltage:	230 V AC
Power consumption:	4 W
Efficiency:	> 0,85
PFC:	> 0,90
Life span:	> 50.000 h
Light control:	DALI, EnOcean, 1-10V

Optical technical data

LED QTY	3
Luminous flux (4000K):	241 lm
CCT:	3000K, 4000K, custom*
CRI:	> 80
Luminous efficiency:	75 lm/W
Light angle:	65°, 30°

Mechanical data

Operating temperature:	-25°C ~ +40°C
Dimensions:	165 x 118 x 85 mm
Recessed opening:	/
Weight:	420 g

Colour and materials

Colour:	walnut, custom*
Material:	wood

Certificates and standards

IP protection:	40
Energy class:	A+

*Every custom change of product affects the price of product.

ORDERING INFORMATION

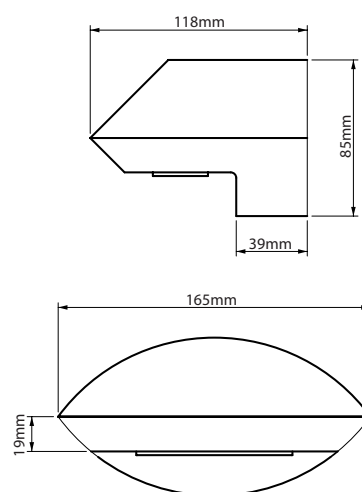
Code	Description
FL06.307.02.00.04	LED ANYAONE 4W WOOD 4000K
FL06.307.01.00.04	LED ANYAONE 4W WOOD 3000K

Manufacturer reserves all rights to make changes in materials and components used it's products. All data are subject to change without prior notification.

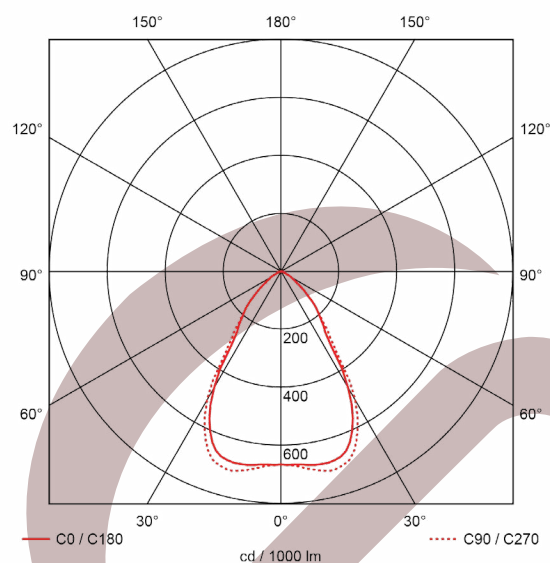


ADDITIONAL PRODUCT DATA

Dimensional drawing



Light distribution



FTA d.o.o.

Cesta Leona Dobrotiška 21a
SI-3230 Šentjur, Slovenia
Phone: +386 3 746 19 30
Fax: +386 3 746 19 37
E-mail: info@fossilum.com